



Intellectual  
Property  
Office

# Certificate of Registration for a UK Design

Design number: 6339019

Grant date: 09 April 2024

Registration date: 12 January 2024

## This is to certify that,

in pursuance of and subject to the provision of Registered Designs Act 1949, the design of which a representation or specimen is attached, had been registered as of the date of registration shown above in the name of

Dr. Rashel Sarkar

in respect of the application of such design to:

AI based Intelligent System for Weather and Natural Disasters

International Design Classification:

Version: 14-2023

Class: 10 CLOCKS AND WATCHES AND OTHER MEASURING INSTRUMENTS, CHECKING AND SIGNALLING INSTRUMENTS

Subclass: 04 OTHER MEASURING INSTRUMENTS, APPARATUS AND DEVICES

### **Adam Williams**

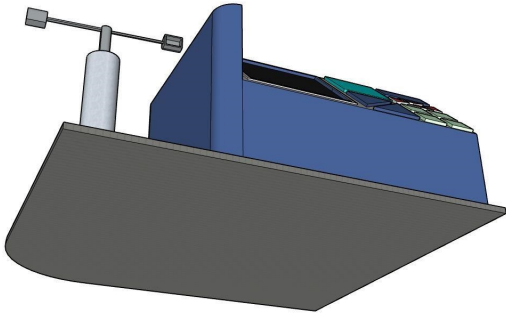
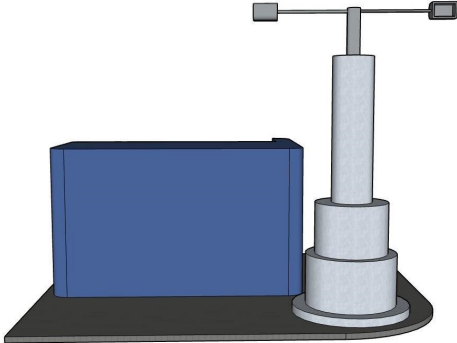
Comptroller-General of Patents, Designs and Trade Marks

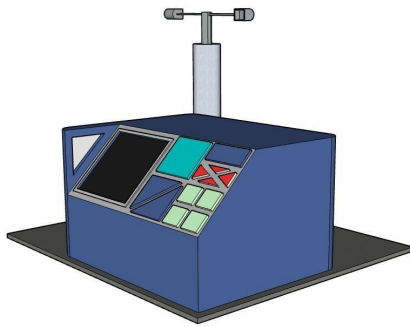
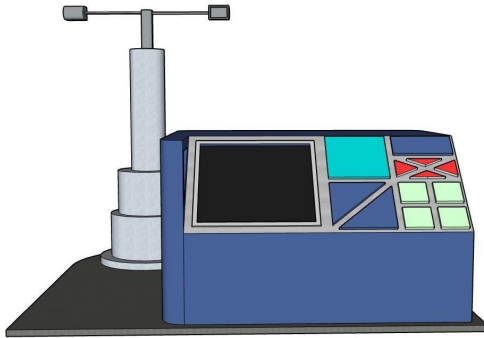
Intellectual Property Office

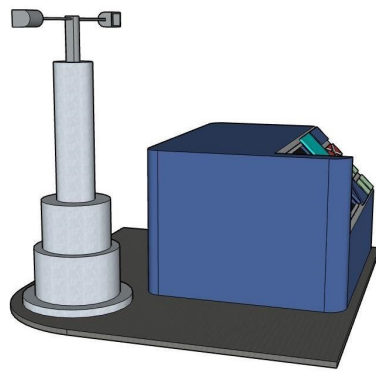
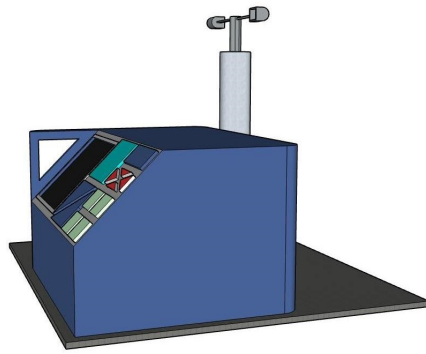
The attention of the Proprietor(s) is drawn to the important notes overleaf.

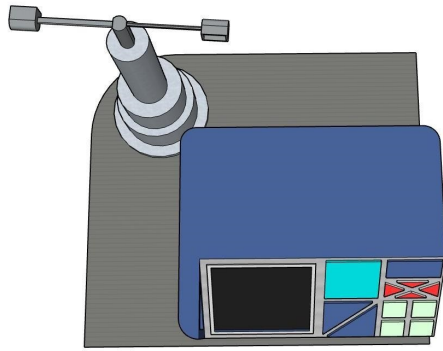


Representation of Designs









Intellectual Property Office is an operating name of the Patent Office

[www.gov.uk/ipo](http://www.gov.uk/ipo)